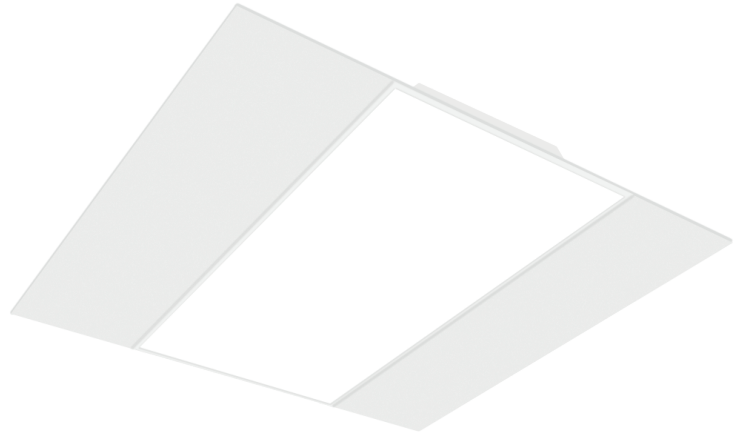


DREI

Technical description

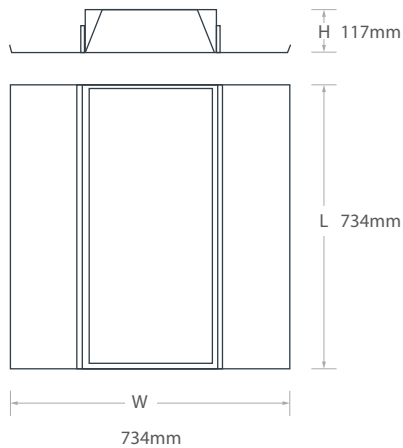
- > White, grey, black color electrostatic powder coated steel sheet housing
- > PMMA opal diffuser
- > Prismatic diffuser options
- > Option: Switchable or dimmable (1-10V, DALI, Touch-Dim, Casambi)
- > SDCM ≤ 3 (3-step Mac Adam)
- > 220-240V AC
- > -20°C ... +35°C



TECHNICAL DATA

Code	W	Luminous Flux (lm)	Efficiency (lm/W)	CRI	Color Temperature	Dimensions WxLxH (mm)
7373DR.30.01	30W	3300 lm	>110 lm/W	>80	3000K - 6500K	734x734x117mm
7373DR.40.01	40W	4400 lm	>110 lm/W	>80	3000K - 6500K	734x734x117mm

TECHNICAL DATA



LIGHT BEAM

