

MONE DEEP 2

Technical description

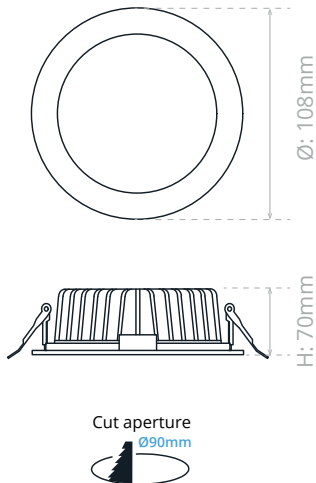
- > White, grey, black color electrostatic powder coated aluminium injection housing
- > PMMA opal diffuser
- > Option: Switchable or dimmable (1-10V, DALI, Touch-Dim, Casambi)
- > SDCM ≤ 3 (3-step Mac Adam)
 - > 220-240V AC
 - > -20°C ... +35°C



TECHNICAL DATA

Code	W	Luminous Flux (lm)	Efficiency (lm/W)	CRI	Color Temperature	Dimensions $\varnothing \times H$ (mm)
108MNDR2.6.01	6W	660 lm	>110 lm/W	>80	3000K - 6500K	108x70

TECHNICAL DRAWING



LIGHT BEAM

