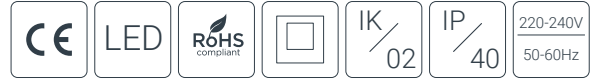


MONE DEEP 4

Technical description

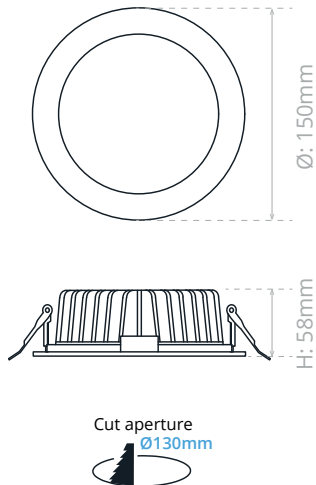
- > White, grey, black color electrostatic powder coated aluminium injection housing
- > PMMA opal diffuser
- > Option: Switchable or dimmable (1-10V, DALI, Touch-Dim, Casambi)
- > SDCM \leq 3 (3-step Mac Adam)
- > 220-240V AC
- > -20°C ... +35°C



TECHNICAL DATA

Code	W	Luminous Flux (lm)	Efficiency (lm/W)	CRI	Color Temperature	Dimensions \varnothing xH (mm)
150MNDR4.12.01	12W	1320 lm	>110 lm/W	>80	3000K - 6500K	150 x 58

TECHNICAL DRAWING



LIGHT BEAM

