

STAIN MIDI

Technical description

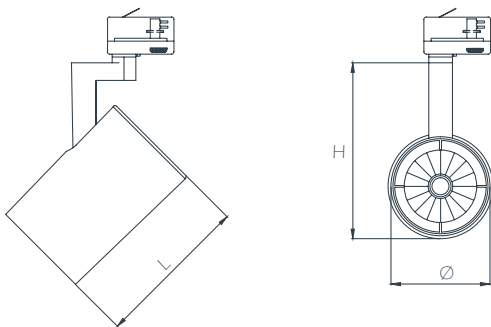
- > White, grey, black color electrostatic powder coated aluminium injection housing
- > COB Led
- > Universal track adapter
- > 80+ and 90+ CRI options
- > Aluminium reflector
- > High transmitted clear tempered glass cover
- > Option: Switchable or dimmable (1-10V, DALI, Touch-Dim, Casambi)
- > SDCM ≤ 3 (3-step Mac Adam)
- > 220-240V AC
- > -20 °C ... +35 °C



TECHNICAL DATA

Code	W	Luminous Flux (lm)	Efficiency (lm/W)	CRI	Color Temperature	Dimensions ØxHxL (mm)
104ST.29.02	29W	3820 lm	>130 lm/W	>80	2700K - 6500K	104x185x163mm

TECHNICAL DATA



LIGHT BEAM

