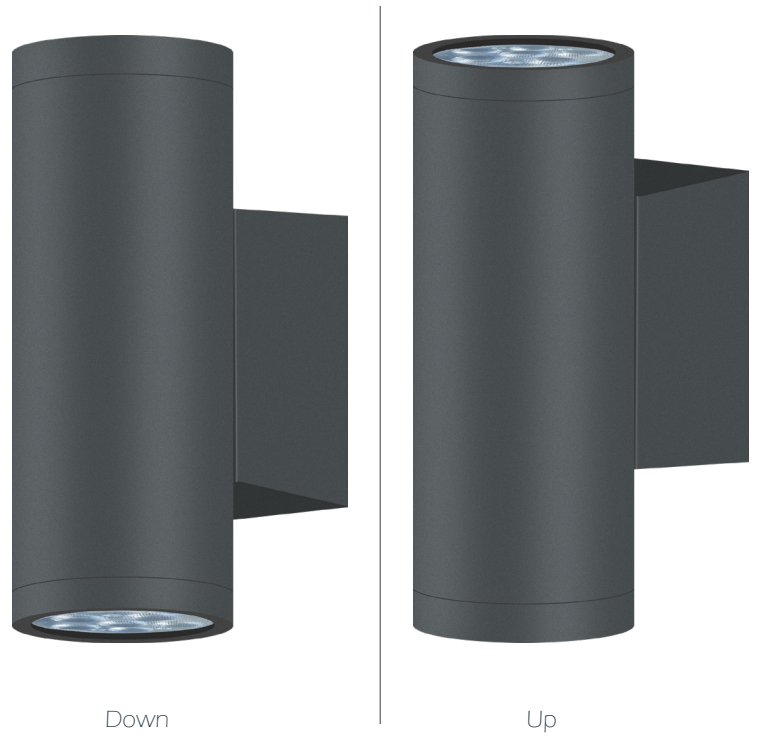


WALL-E UP&DOWN

Technical description

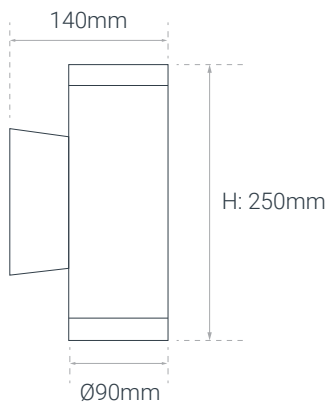
- Aluminium housing with electrostatic powder coated
- SMD high power LED light source
- Special design optical lens
- Tempered glass diffuser
- IP65 protection class
- INOX mounting screws
- Option: Switchable or dimmable
(1-10V, DALI, Touch-Dim, Casambi)
- 220-240V AC
- -20 °C ... +50 °C



TECHNICAL DATA

Code	W	Luminous Flux (lm)	Efficiency (lm/W)	CRI	Color Temperature	Dimensions ØxH (mm)
90WEUD.24.03	2x12W	2280lm	>95 lm/W	>80	3000K-6500K	90x250mm

TECHNICAL DATA



LIGHT BEAM

