

## WESS SURFACE

### Technical description

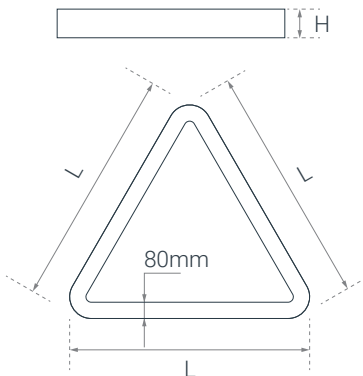
- White, grey, black color electrostatic powder coated aluminium extrusion housing
- SMD LED light source
- Lighting grade PC opal diffuser
- Microprismatic diffuser option for extra glare control
- Option: Switchable or dimmable
- Option: 1-10V, DALI, Touch-Dim, Casambi
- Option: 3 Hours emergency kit
- L80B10 - 60.000 hours
- SDCM  $\leq 3$  (3-step Mac Adam)
- 220-240V AC
- $-20^{\circ}\text{C} \dots +35^{\circ}\text{C}$



### TECHNICAL DATA

Code	W	Luminous Flux (lm)	Efficiency (lm/W)	CRI	Color Temperature	Dimensions LxH (mm)
40WES.26.02	26W	2860 lm	>110 lm/W	>80	3000K - 6500K	400x80mm
60WES.40.02	40W	4400 lm	>110 lm/W	>80	3000K - 6500K	600x80mm
90WES.60.02	60W	6600 lm	>110 lm/W	>80	3000K - 6500K	900x80mm
120WES.80.02	80W	8800 lm	>110 lm/W	>80	3000K - 6500K	1200x80mm

### TECHNICAL DRAWING



### LIGHT BEAM

